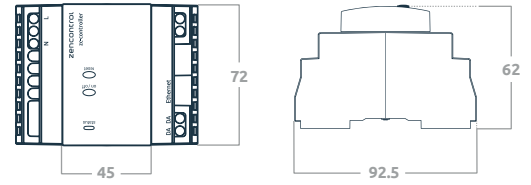


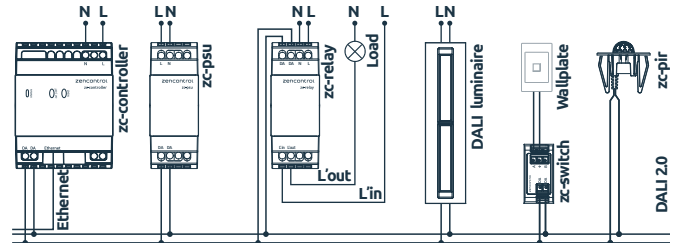
Dimensions

Mounting options DIN rail (35 mm)

Dimensions 92.5 / 72 / 62 mm



System overview



Product range

Order code	Description
zc-controller	DALI-2 application controller and Ethernet DALI gateway

Specifications

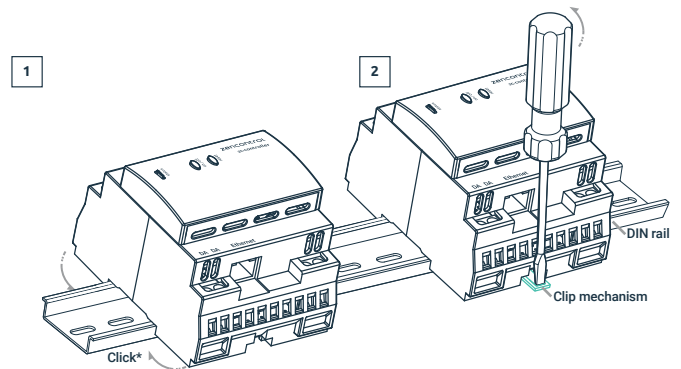
Supply voltage	230 V ~ 50 Hz
Control system	DALI-2
DALI line current	2 mA
Ethernet	10/100 Ethernet port
Wiring	1 - 4 mm ² Strip 6 - 7 mm
Operating temperature	0 to 45°C
Material	PC
Classification	Class II
Ingress protection	IP20

Installation

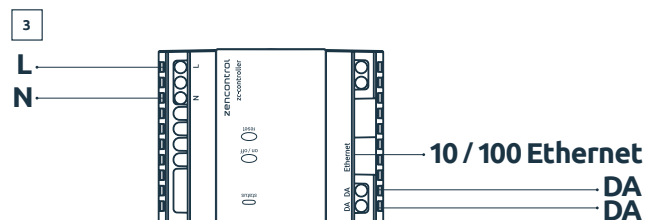
Remove the product from the box and inspect it for any damage. If you believe the product to be damaged or otherwise unound, **do not** install the product. Please pack it back into its box and return it to the place of purchase for replacement.

If the product is satisfactory, proceed with the installation:

- 1 Ensure safety warnings are adhered to.
- 2 Mount the DALI application controller on DIN rail inside a mains rated enclosure as shown in **fig 1**. To remove from DIN rail, release the clip mechanism with a flat blade screw driver, as per **fig 2**.
- 3 Wire the DALI application controller as per **fig 3**.



Wiring diagram



Wire preparation

1 - 4 mm²



Safety information

- This product must only be installed by a licensed electrician.
- Before commencing installation turn off and isolate the electrical supply.
- There are no user serviceable parts, attempting to service any part of the product will void the warranty
- DALI is not SELV and as such should be treated as LV.
- As the installer, it is your responsibility to ensure you comply to all relevant building and safety codes. Refer to application standards for the relevant rules.
- When the installation is complete, leave this manual with the building's owner for future reference.

Accessories range

Order code	Description
zc-psu	DALI-2 power supply, DIN mount

Status LEDs

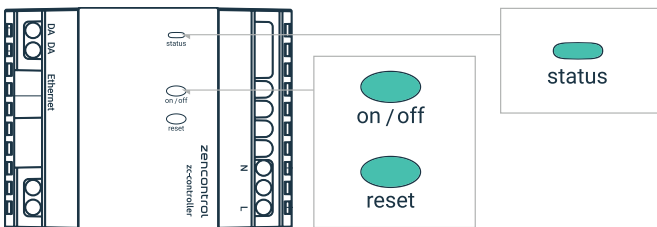
LED	State	Meaning
Status	Green - On	Unit is powered
On / off & reset	Green - Alternating flash	Bootload in process
On / off & reset	Yellow - Synchronised flash	Start up in process
On / off & reset	Green Yellow - Alternating	Bootup complete
On / off	Green - Flash / flicker	DALI activity
On / off	Red - Flash	DALI failure

Note: DALI failure indicates the DALI line has a short, is overloaded, is disconnected or is not powered

Button actions

Button	Action	Function
On / off	Short press	Toggles lights (max / off)
On / off	5 second press	Toggles identify function
Reset	1 - 2 seconds press	Force Cloud reconnect
Reset	3 - 10 second press	Reboot
Reset	11 - 15 second press	Factory reset

Indicators



Notice



For more information
on compliant software
see our website
zencontrol.com