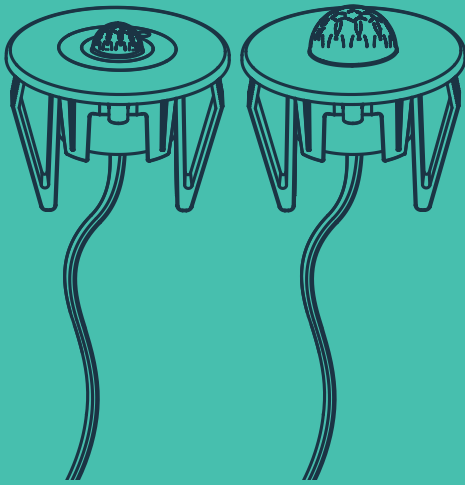


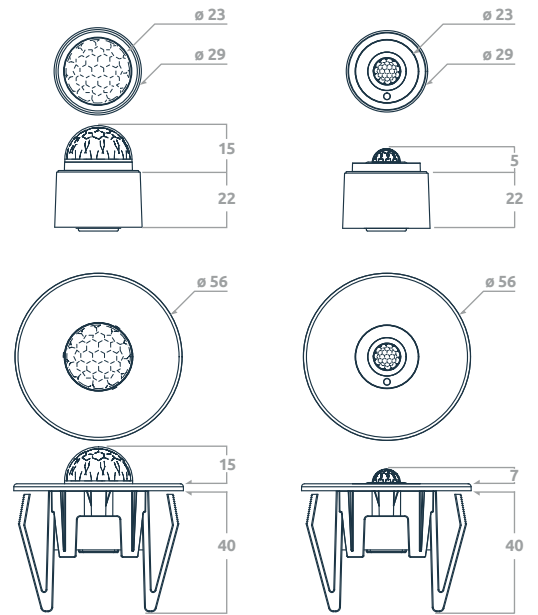
## DALI-2 PIR sensor **zc-pir**

zencontrol



## Dimensions

<b>Mounting options</b>	Recessed or surface mounted (see accessories)	
<b>Cut out</b>	ø 44 mm	
<b>Installation height</b>	2.2 - 4 m	
<b>Min. ceiling depth</b>	70 mm	
<b>Dimensions</b>	ø 56 / 55 mm	ø 56 / 47 mm



## Product range

Order code	Description
<b>zc-pir-5m</b>	DALI-2 PIR sensor, 5 m detection area
<b>zc-pir-8m</b>	DALI-2 PIR sensor, 8 m detection area

## Specifications

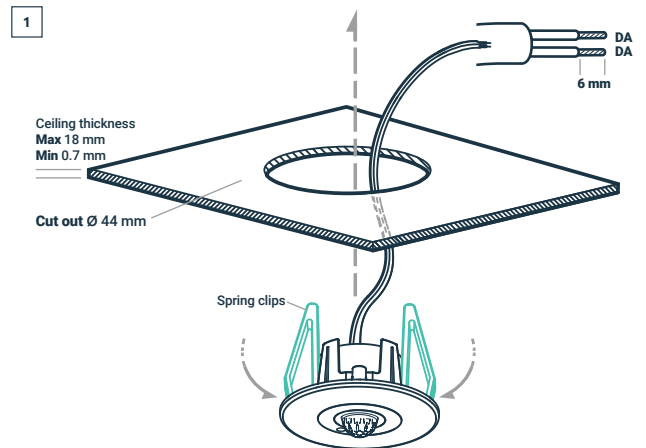
<b>Supply voltage</b>	9.5 - 22.5 V dc (supplied from DALI)
<b>Supply current</b>	8 mA
<b>Control system</b>	DALI-2
<b>Receiver start-up time</b>	100ms
<b>Transmitter start-up time</b>	1000ms
<b>Sensors</b>	PIR, ambient light
<b>Operating temperature</b>	0 to 45°C
<b>Lens</b>	Fresnel
<b>Wiring</b>	2x0.5 mm <sup>2</sup> 1.3 m flylead
<b>Ingress protection</b>	IP20
<b>Material</b>	PC (body)

## Installation

Remove the product from the box and inspect it for any damage. If you believe the product to be damaged or otherwise unsound, **do not** install the product. Please return it to the place of purchase for replacement.

If the product is satisfactory, proceed with the installation:

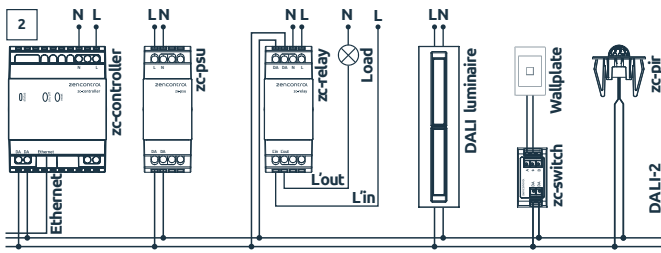
- 1 Choose a location considering the conditions listed in the **detection pattern** section.
- 2 Drill mounting hole in desired position using 44 mm hole saw.
- 3 Push the spring clips in as per **fig 1**. Insert sensor into the desired position and the spring clips will automatically release, ensuring that the sensor is secure and flush up against the ceiling.
- 4 Connect the 2x0.5 mm<sup>2</sup> lead to the DALI line ensuring wiring regulations are followed. DALI is not polarised. DALI is not SELV and as such must be treated as LV. **Do not connect the sensor to any mains voltages.**



## Safety information

- This product must only be installed by a licensed electrician.
- Before commencing installation turn off and isolate the electrical supply.
- There are no user serviceable parts, attempting to service any part of the product will void the warranty
- The sensor must not be connected to any mains. It is powered directly from the DALI line.
- DALI is not SELV and as such should be treated as LV.
- As the installer, it is your responsibility to ensure you comply to all relevant building and safety codes. Refer to application standards for the relevant rules.
- When the installation is complete, leave this manual with the building's owner for future reference.

## System overview



## Notice



For more information on compliant software see our website [zencontrol.com](https://zencontrol.com)

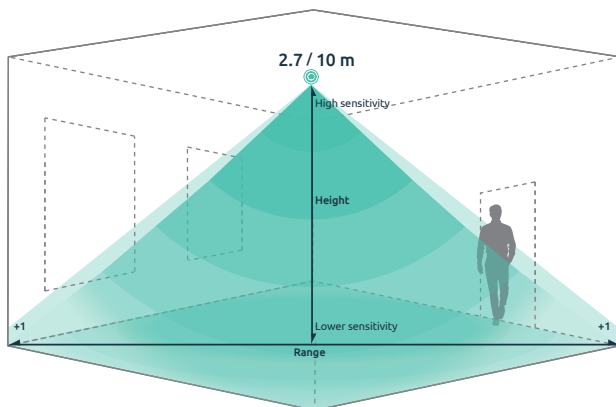
## Usage

**Ambient light level sensing** Measurements between 0 - 10,000 lux  
Set points and trigger levels controlled by DALI-2 application controller

**Time-out actions and events** Configuration dependent on DALI-2 application controller

## Detection pattern

Order code	Range $\varnothing$	Mounting height
<b>zc-pir-5m</b>	5 m	2.7 m
<b>zc-pir-8m</b>	8 m	10 m



- The detection range of the unit may alter with changes in ambient temperature.
- Position sensor so that movement occurs across the scan area.  
When walking directly towards or away from the sensor the detection range will be reduced.
- Do not direct sensor at reflective surfaces or variable heat sources i.e. windows or air conditioners.
- Do not aim the sensor directly at the sun as this may cause damage to the PIR sensor.

## Accessories range

Order code	Description
<b>zc-pir-rs-kit</b>	PIR sensor recess mount kit
<b>zc-pir-cd-kit</b>	PIR sensor conduit mount kit
<b>zc-pir-sm-kit</b>	PIR sensor surface mount kit